

# MUNDIAL

## INDUSTRIAL PLUGS AND SOCKETS

Description: IP66-IP67 SLOPING FLUSH-FIT PLUG 3P+N+E 380V 63A 6H

Reference:

**03663**

### Characteristics:

Product type:	Low voltage sloping flush-fit plug
Current:	63A
Poles:	3P+N+E
Voltage:	200/346 - 240/415 V
Frecuency(Hz):	-
Time code:	6
Colour:	Red
Weight (kg):	1,34
Dimensions:	
Materials:	Halogen-free plastic materials. Plastic parts: polyamide 6. Contacts: copper-zinc alloy
Packaging units:	2

### Technical data:

Degree of protection:	IP66-IP67
Degree of protection remarks:	
Resistance to impact:	IK08
Glow wire resistance:	960 °C
Ball pressure test:	125 °C
Ambient temperature range:	-25 °C / +40 °C

### Certifications and norms:

Directive:	2014/35/EU
Standards:	IEC 60309-1-2
Certificates:	



### Codes:

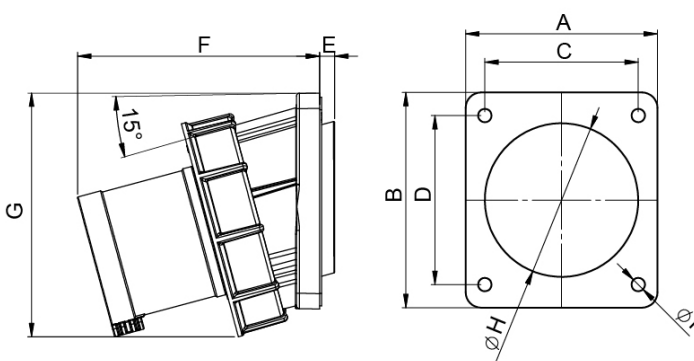
EAN:	8431044036632
Customs tariff number:	85.36.69.90
ETIM 8.0:	EC001319

# MUNDIAL

## INDUSTRIAL PLUGS AND SOCKETS

Description: IP66-IP67 SLOPING FLUSH-FIT PLUG 3P+N+E 380V 63A 6H

Reference: 03663



### Dimensions:

I	Poles	Dimensions								
		A	B	C	D	E	F	G	H	I
63 A	2P+E	100	112	80	88	8	127	127	80	7
	3P+E	100	112	80	88	8	127	127	80	7
	3P+N+E	100	112	80	88	8	127	127	80	7
125A	2P+E	120	130	100	108	8	139	145	100	7
	3P+E	120	130	100	108	8	139	145	100	7
	3P+N+E	120	130	100	108	8	139	145	100	7

### Sustainability:

RoHS - REACH

### Product end of life stage:

Product concerned in the WEEE regulations.

### Supply:

Supplied in a single box per packaging multiple